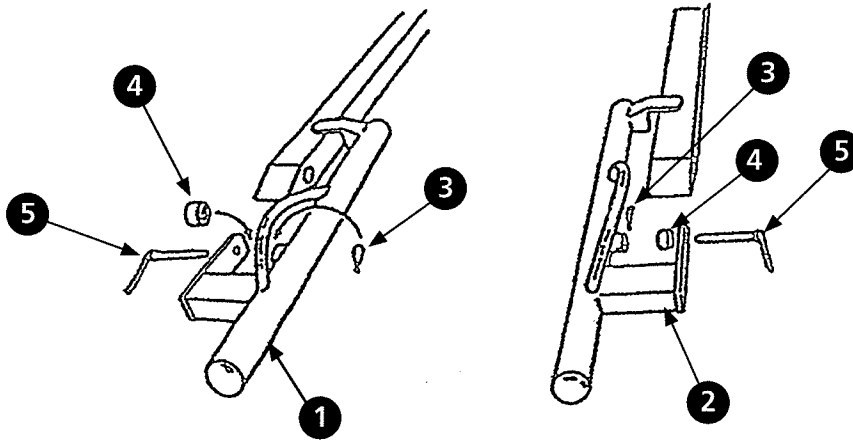


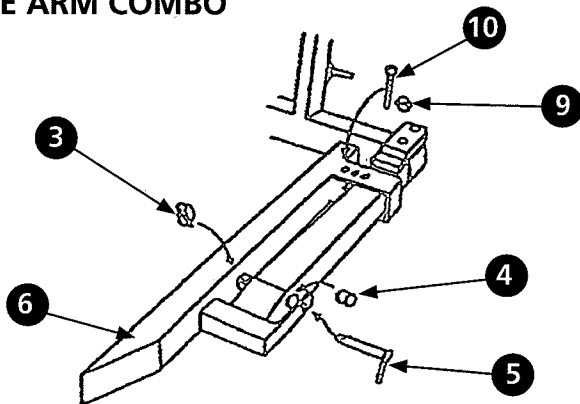
Item No.	Description	Qty	Part Code	
1	System 10 Mainframe	1	S - 380	
2	RH Fork Arm	1	S - 381	
3	LH Fork Arm	1	S - 382	
4	Single Spike	2	S - 383	
5	SSH Ram	1	S - 485	
6	Ram Pin 4533	3	S - 486	
7	Pivot Pin 4544	1	S - 487	
8	AG1 Lynch Pin	4	S - 498	
9	1/4 UNF Grease Nipple	2	CH - 230	
10	1/8 BSP Grease Nipple	2	CH - 228	
11	SSH Hose + Elbow	2	S - 488	
13	1 1/4" ZP Washer	2	S - 400	
14	AG-3 Lynch Pin	2	CH - 500	
15	Fork Arm Spacer	2	S - 401	
17	Equalizer Bar	1	S - 490	Optional
18	1" ZP Washer	2	CH - 220	Optional
19	Split Pin	1	CH - 227	Optional

# SYSTEM 10 EXTRA ATTACHMENTS

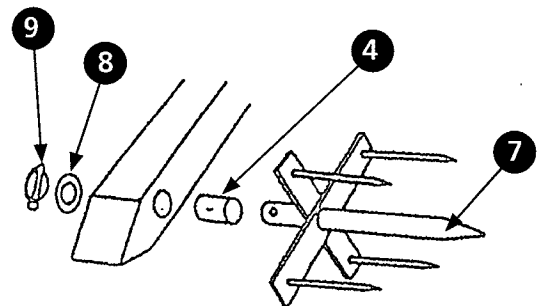
## SOFT ARM COMBO



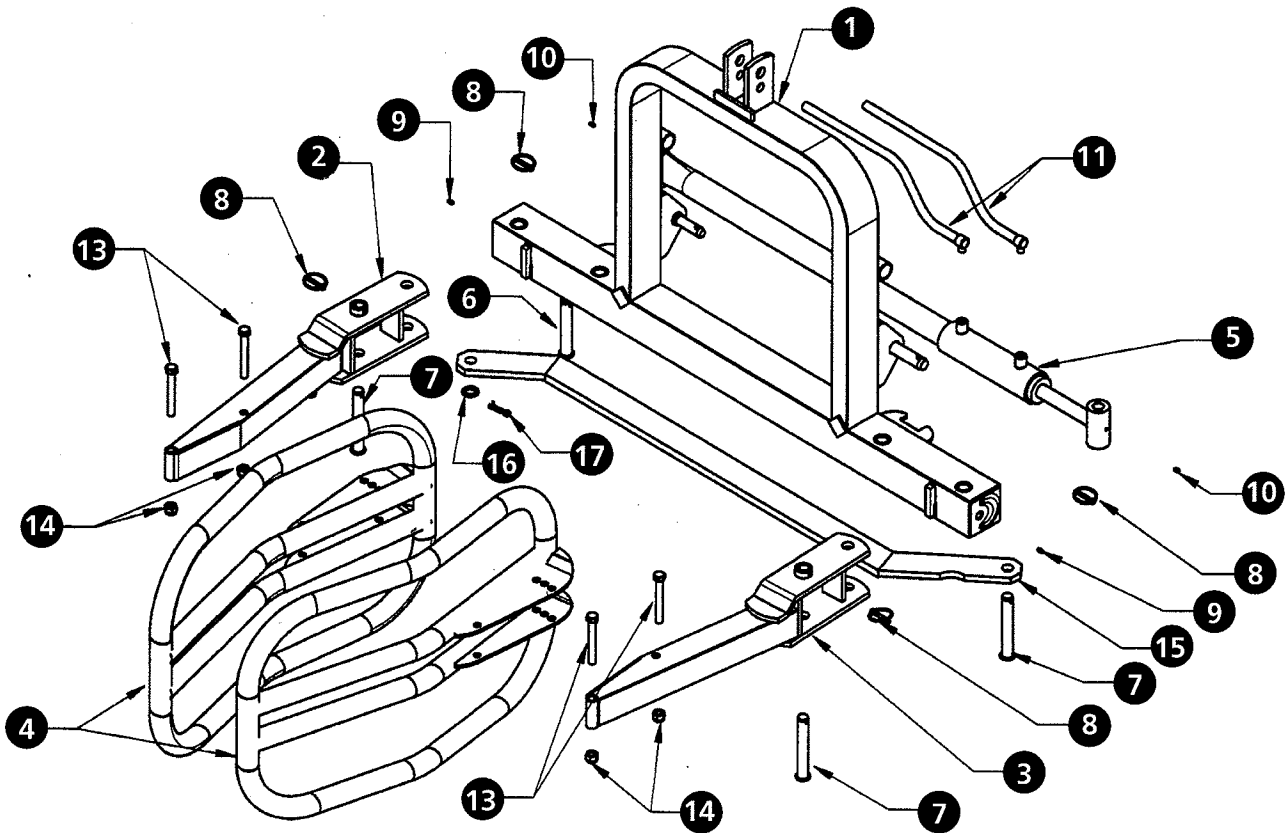
## SQUARE ARM COMBO



## MULTI SPIKE COMBO



Item No.	Description	Qty	Part Code	Notes
1	Soft Arm LH	1	S - 385	
2	Soft Arm RH	1	S - 386	
3	AG Clip B6100	2	S - 402	
4	Fork Arm Spacer	2	S - 401	
5	Soft Arm Pin	2	S - 395	
6	Square Arm	2	S - 390	
7	Multi Spike	2	S - 384	
8	1 1/4" Zp Washer	2	S - 400	
9	AG-3 Lynch Pin	2	CH - 500	
10	Pin B74	2	S - 404	



Item No.	Description	Qty	Part Code	Notes
1	System 10 Mainframe	1	S - 380	
2	SSH LH Arm (With Equalizer Pin)	1	S - 482	
3	SSH RH Arm	1	S - 483	
4	SSH Hand	2	S - 484	
5	SSH Ram	1	S - 485	
6	Ram Pin 4533	1	S - 486	
7	Pivot Pin 4544	3	S - 487	
8	AG1 Lynch Pin	4	S - 498	
9	1/4 UNF Grease Nipple	2	CH - 230	
10	1/8 BSP Grease Nipple	2	CH - 228	
11	SSH Hose + Elbow	2	S - 488	
13	M16 X 110 Bolt	4	S - 397	
14	M16 Nyloc Nut	4	S - 398	
15	Equalizer Bar	1	S - 490	Optional
16	1" ZP Washer	2	CH - 220	Optional
17	Split Pin	1	CH - 227	Optional
	Lock Valve	1	SSH - LKV	Optional