

### SUB-ASSEMBLIES

Sub-Assy	Description
S1	Chassis
S2	Drawbar
S3	Feeder
S4	Hook
S5	Latch Arm
S6	Top Link Arm
S7	Boom
S8	Tyne Frame

## SPECIFICATIONS

FEEDER WEIGHT: 890 kg empty

FEEDER CAPACITY: 2 bales. 1000kg maximum weight each.

HYDRAULIC REQUIREMENTS: Pressure: 2250 - 3000 PSI. Flow: 12 - 60 L/min (**Our recommended maximum flow is 25 L/min**). 2 X sets of double acting hydraulics remotes.

HOSE CONNECTIONS: Two hoses to inside lever which operates loading forks. (1/2" QRC's)  
Two hoses to outside lever which operates feed chains. (1/2" QRC's)

TRACTOR SIZE: Large enough to safely handle the bale feeder and 2 bales (1000kg maximum bale capacity).

### **WARNING!**

BEFORE ATTEMPTING ANY MAINTENANCE, ENSURE TRACTOR ENGINE IS SHUT OFF AND NO ONE IS NEAR THE HYDRAULIC CONTROLS.

## MAINTENANCE

(Also do this before initial operation)

- Grease points regularly.

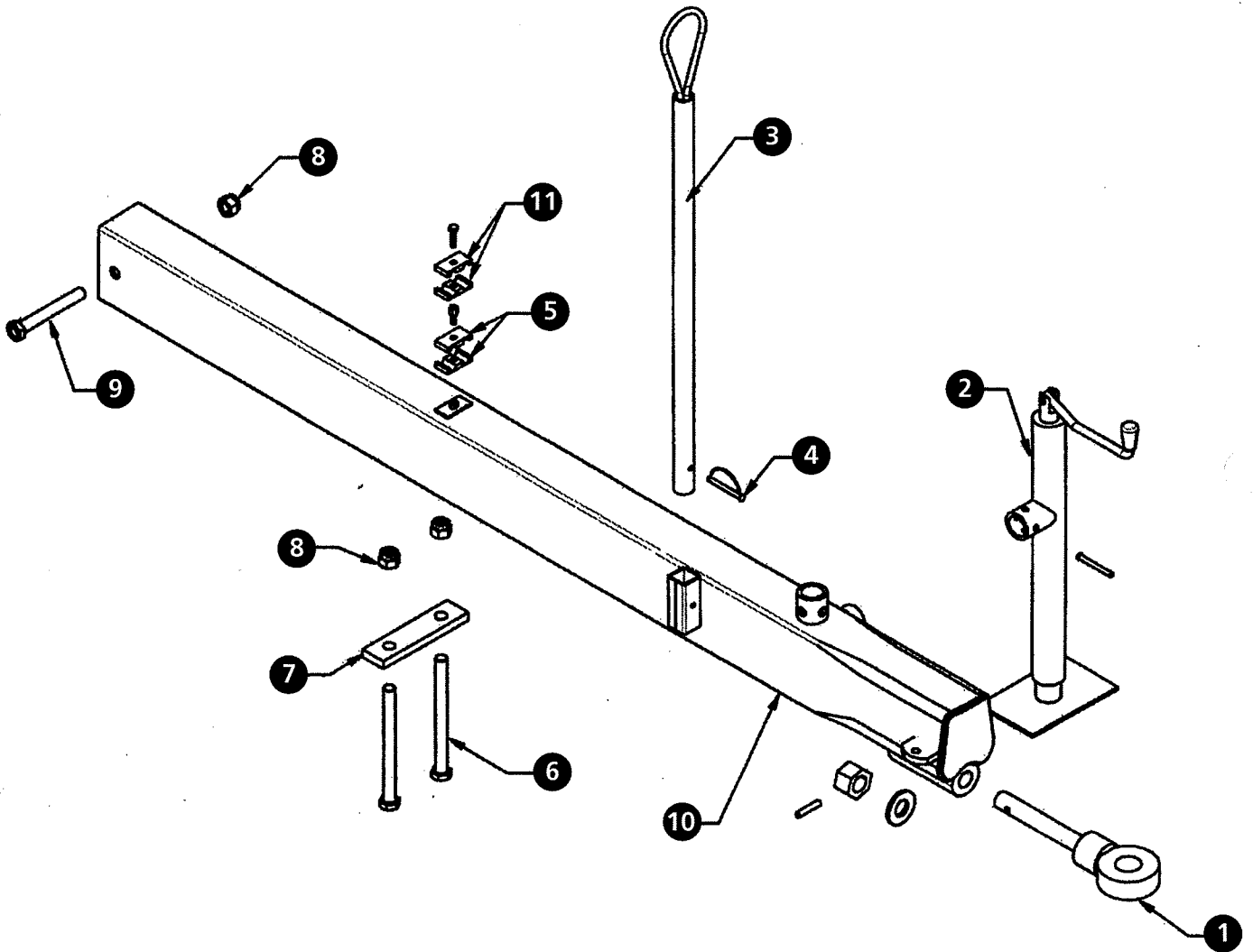
These are:

- 4 x main feeder bearings (do not over grease)
  - All pivot grease nipples including rear boom, latch/trip arm and cylinder pivot points.
  - Inside the hook latch contact surface.
  - On the trip reset plate by the left hand wheel.
- Keep the 2 feed chains oiled. Use a non-tacky black or brown chain lube monthly.
  - Grease the wheel bearing annually or earlier depending on conditions. If the machine is travelling through water occasionally we recommend ADR High Tech Lithogrease 3 or equivalent.

After the first 10 hours of operation:

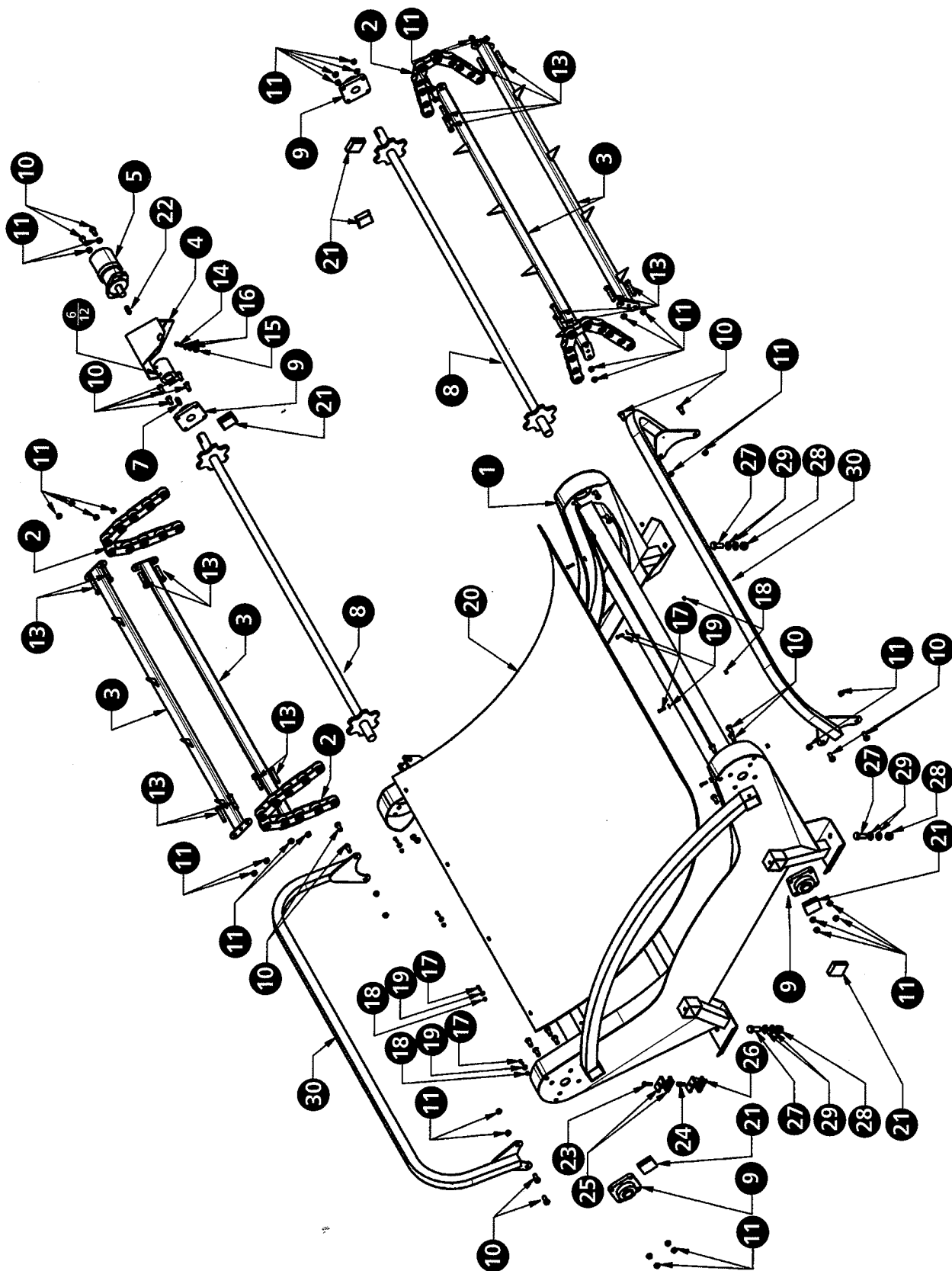
- Check wheel nuts are tight.
  - Check the nuts on the tines are tight.
  - Check draw bar bolts are tight.
  - Check grub screws in bearings and sprockets are tight.
- During routine servicing check that grubscrews and bolts are tight.
  - During routine servicing check that grubscrews and bolts are tight.
  - In a salty atmosphere keep grease on parts that are likely to rust, i.e pins and cylinder shafts.

# DRAWBAR ASSEMBLY



Item No.	Description	Qty	Part Code	Notes
1	Towing Eye. Incl. Washer, Nut & Locking Pin	1	CH - 355	
2	Jack. Includes Pin	1	CH - 183	
3	Hose Needle	1	CH - 358	
4	Needle Clip AG 256	1	CH - 233	
5	Hose Clamp 3/8"	1	CH - 309	
6	Bolt M20 X 230	2	CH - 90	
7	Clamp Plate 50 X 16	1	CH - 273	
8	Nyloc Nut M20	3	CH - 215	
9	Bolt M20 X 150	1	CH - 207	
10	Drawbar SA-16	1	CH - 3	
11	Hose Clamp 1/4"	1	CH - 356	

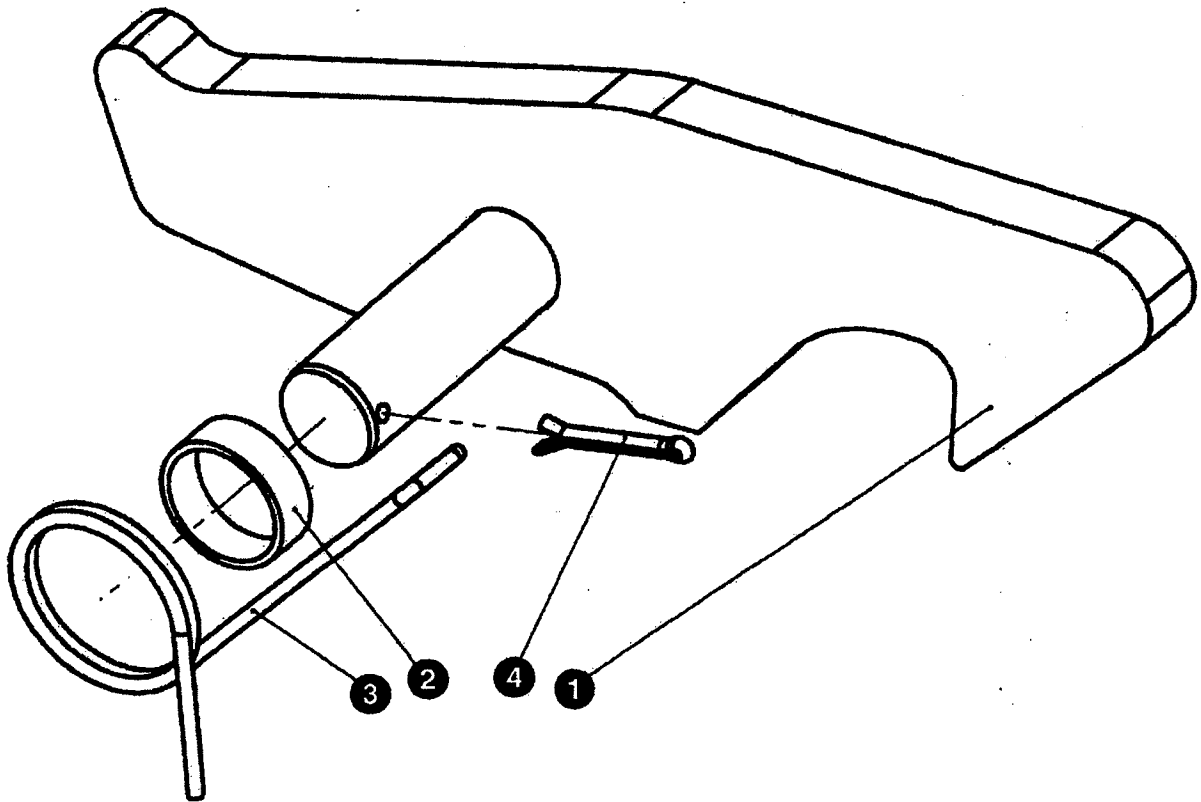
# FEEDER ASSEMBLY



# FEEDER ASSEMBLY

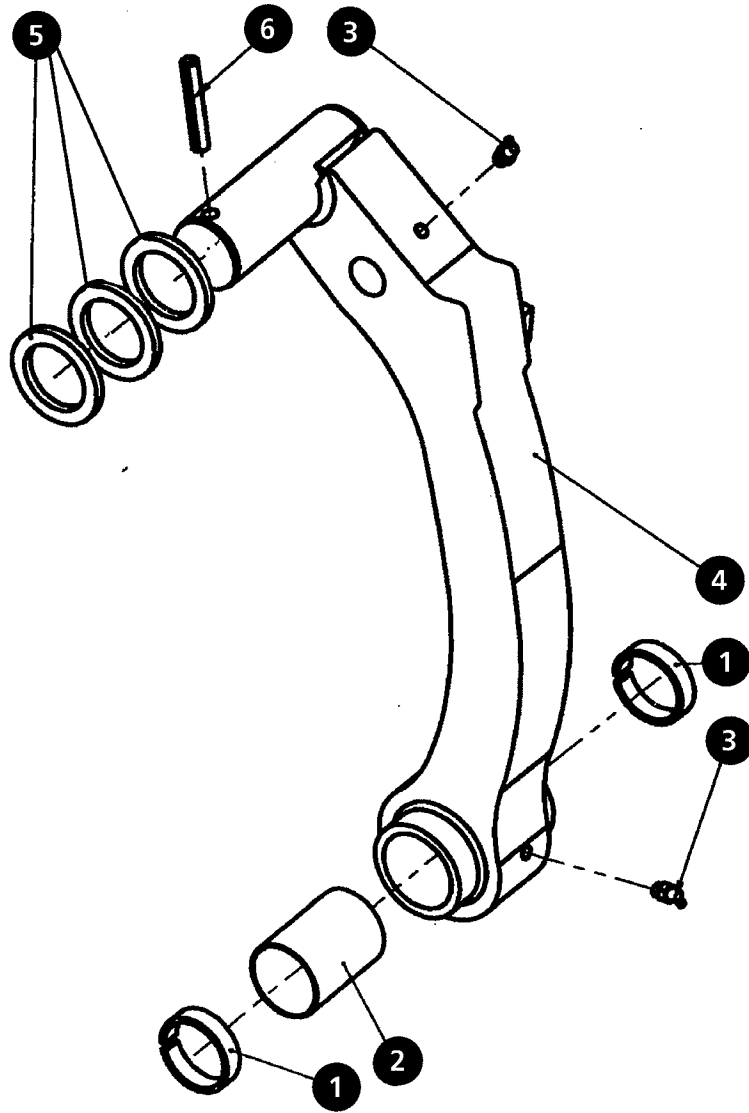
Item No.	Description	Qty	Part Code	Notes
1	Feeder Mainframe	1	SL - 805	
2	Feed Chain	2	SL - 810	
3	Feed Bars	15	SL - 813	
4	Motor Torque Arm	1	SL - 815	
5	Hydraulic Motor JH320	1	SL - 816	
	Hydraulic Motor JH320 Seal Kit	1	SL - 816SK	Not Shown
6	Motor Drive Coupling	1	SL - 818	
7	Spocket Key	1	CH - 154	
8	Drive Shaft	2	SL - 819	
9	4 Bolt Flange Bearing	4	CH - 152-153	
10	Bolt M12 X 35mm	26	CH - 210	
11	M12 Nyloc Nut	90	CH - 216	
12	Motor Grub Screw	4	CH - 125	
13	Bolt M12 X 65mm	64	SL - 809	
14	Bolt M8 X 35mm	1	SL - 807	
15	M8 Nyloc Nut	1	CH - 218	
16	M8 Washer	2	CH - 223	
17	SS Cap Screw M6 X 30mm	8	CH - 226	
18	M6 Nyloc Nut	8	CH - 219	
19	M6 HD Washer	8	SL - 808	
20	Plastic Floor Sheet	1	SL - 826	
21	Plastic RHS Cap (65 X 65)	6	SL - 825	
22	Motor Key JH320	1	SL - 817	
23	Bolt M8 X 35mm	1	SL - 807	
24	Half Bolt M8	1	SL - 806	
25	Twin Hose Clamp 1/4"	1	CH - 356	
26	Twin Hose Clamp 3/8"	1	CH - 309	
27	Bolt M16 X 40mm	4	SL - 830	
28	M16 Nyloc Nut	4	SL - 831	
29	M16 Flat Washer	8	SL - 832	
30	Side Bar	2	SL - 812	
31	Motor Hose	2	SL - 802	Not Shown

# HOOK ASSEMBLY



Item No.	Description	Qty	Part Code	Notes
1	Hook	1	CH - 348	
2	Spacer	1	CH - 349	
3	Spring	1	CH - 192	
4	Split Pin	1	CH -227	

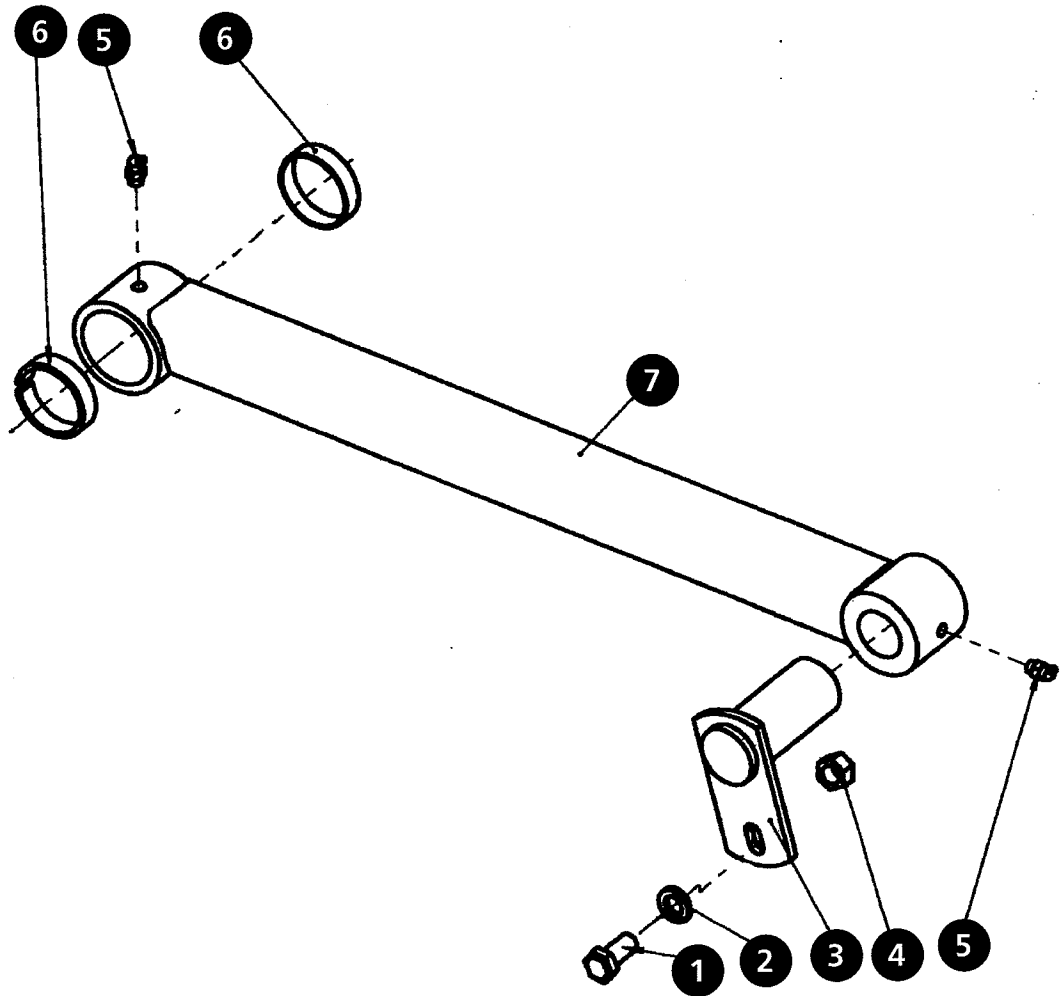
# LATCH ARM ASSEMBLY



## SUB-ASSEMBLY

Item No.	Description	Qty	Part Code	Notes
1	Wear Ring	2	CH - 176	
2	Aluminium Spacer X 44mm	1	CH - 178	
3	Grease Nipples 1/8 BSP ST	2	CH - 228	
4	Latch Arm SA3	1	CH - 340	
5	Spacer X 6mm	3	CH - 182	
6	Rollpin 10 X 65mm	1	CH - 205	

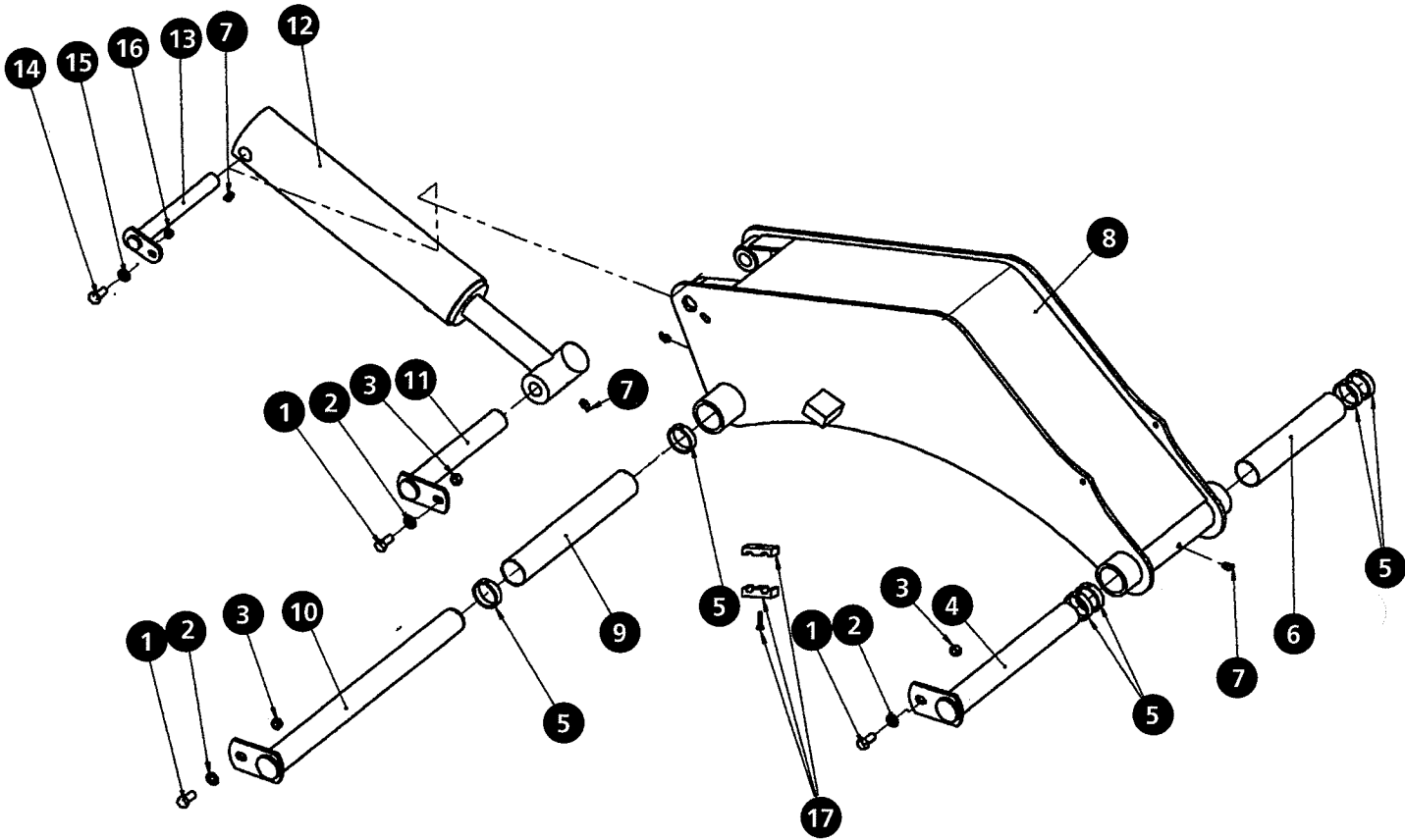
# TOPLINK ARM ASSEMBLY



## SUB-ASSEMBLY

Item No.	Description	Qty	Part Code	Notes
1	Bolt M10 X 40mm	1	CH - 211	
2	M10 Washer	1	CH - 222	
3	Pin	1	CH - 367P	
4	M10 Nyloc Nut	1	CH - 217	
5	Grease Nipple 1/8 BSP	2	CH - 228	
6	Wear Ring	2	CH - 176	
7	Toplink Arm SA2	1	CH - 336	

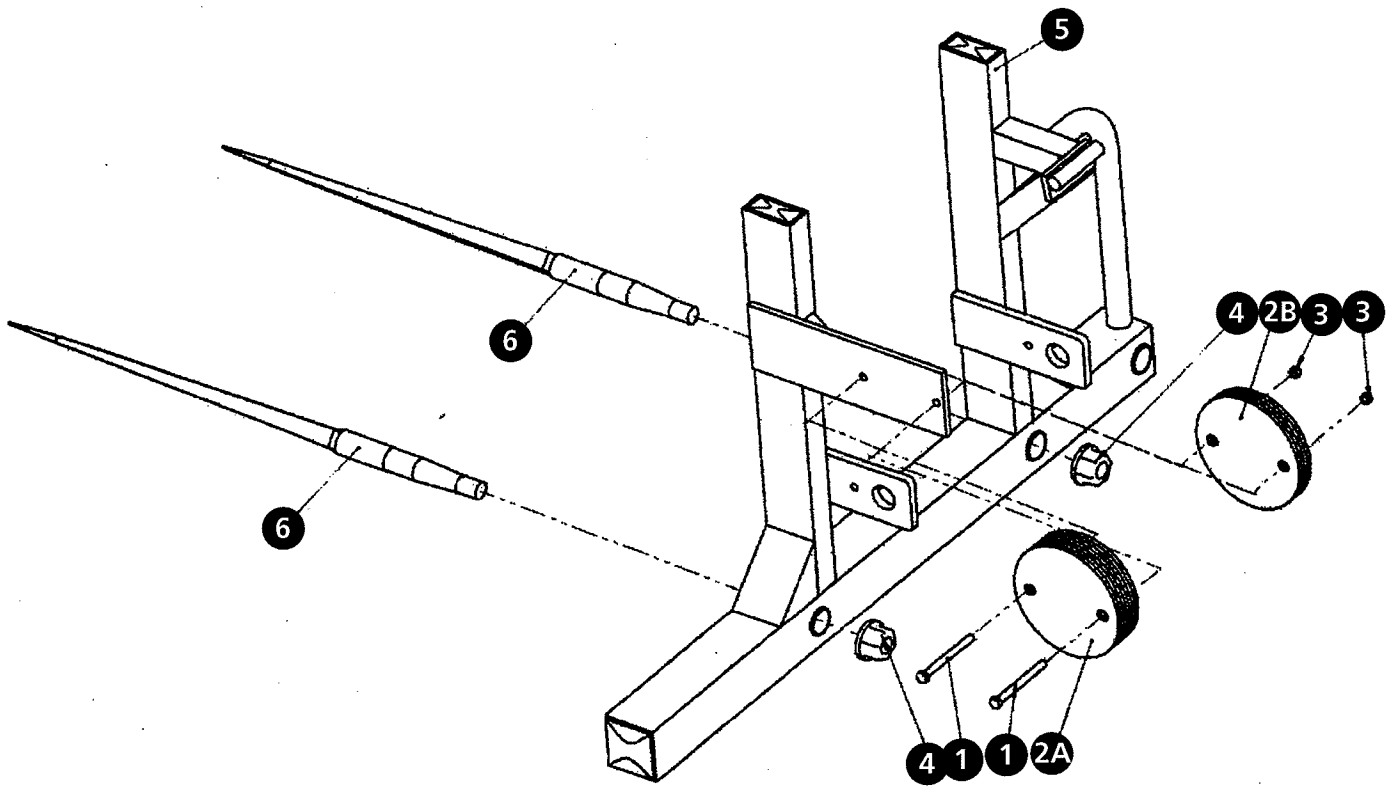
# BOOM ASSEMBLY



## SUB-ASSEMBLY

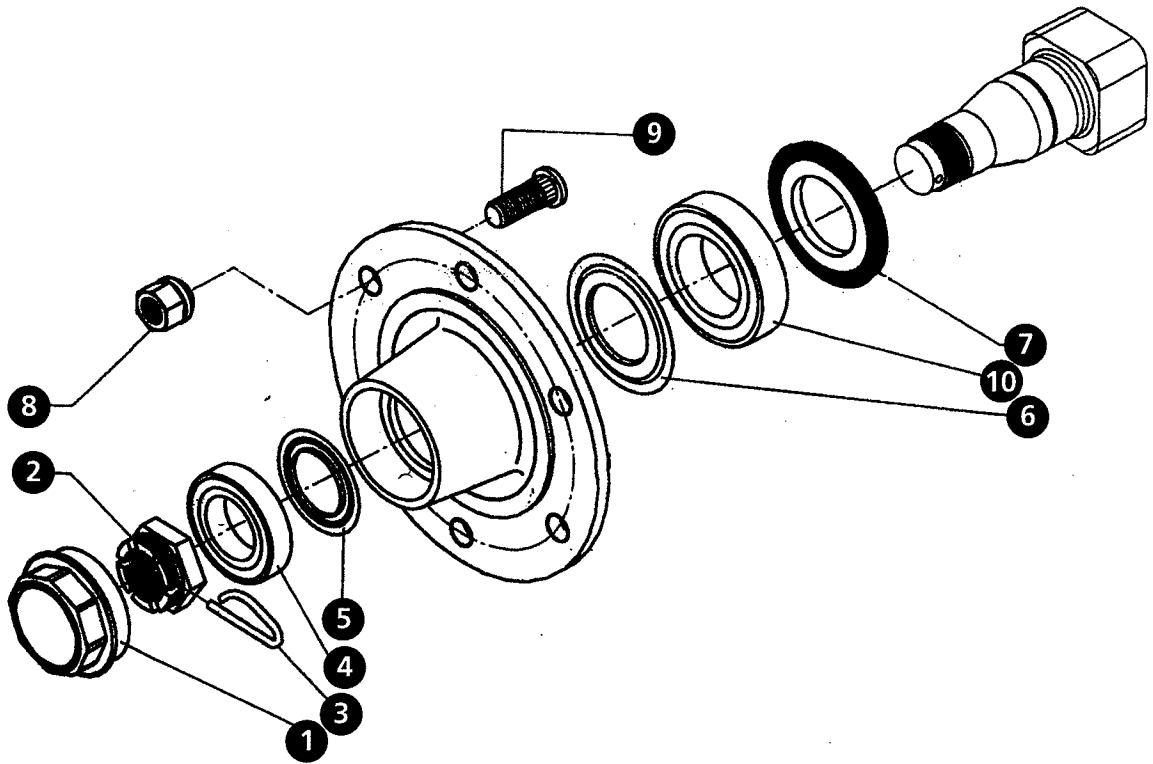
Item No.	Description	Qty	Part Code	Notes
1	Bolt M10 X 40mm	3	CH - 211	
2	Washer M10	3	CH - 222	
3	Nyloc Nut M10	1	CH - 217	
4	Pin 1 3/4 X 340mm	1	CH - 365P	
5	Wear Ring	5	CH - 176	
6	Aluminium Spacer X 198mm	1	CH - 179	
7	Grease Nipple 1/8 BSP ST	4	CH - 228	
8	Boom SA9	1	CH - 11	
9	Aluminium Spacer X 326mm	1	CH - 180	
10	Pin 1 3/4 X 524mm	1	CH - 364P	
11	Pin 1 1/4 X 248mm	1	CH - 366P	
12	Boom Cylinder	1	CH - 164	
	Boom Cylinder Seal Kit	1	SK350175	Not Shown
13	Pin 1 X 220mm	1	CH - 368P	
14	Bolt M8 X 30mm	1	CH - 213	
15	Washer	1	CH - 223	
16	Nyloc Nut	1	CH - 218	
17	Twin Hose Clamp 1/4"	1	CH - 356	
18	Boom Ram Hoses	2	SL - 801	Not Shown

# TYNE FRAME ASSEMBLY



Item No.	Description	Qty	Part Code	Notes
1	Counterweight Bolt M12 X 130	2	CH - 208	
2	Counterweight	12	CH - 331	
3	Nyloc Nut M12	2	CH - 216	
4	Tyne Nut M28	2	CH - 188N	
5	Tyne Frame Assembly SA10	1	CH - 12	
6	Tyne X 980 OA	1	CH - 188	

# HUB ASSEMBLY



Item No.	Description	Qty	Part Code	Notes
1	Hub Cap	1	CH - 184HC	
2, 3	Castle nut & Split Pin	1	CH - 184CNK	
4,10	Wheel Bearing Kit	1	CH - 186B	
5, 6	Grease Retainer Kit	1	CH - 184GR	
7	Wheel Bearing Seal Kit	1	CH - 186SK	
8	Wheel Nut	6	CH - 184N	
9	Wheel Stud	6	CH - 184ST	