

SPECIFICATIONS

FEEDER WEIGHT: 460 kg empty

FEEDER CAPACITY: 1 x 1000kg round bale.

HYDRAULIC REQUIREMENTS: Pressure: 2000 - 3000 PSI. Flow: 12 - 60 L/min (**Our recommended maximum flow is 25 L/min**).

HOSE CONNECTIONS: Two double acting hoses to tractor (1/2" QRC's)

TRACTOR SIZE: Large enough to safely handle the bale feeder and 1 bale (1000kg maximum).

WARNING!

BEFORE ATTEMPTING ANY MAINTENANCE, ENSURE TRACTOR ENGINE IS SHUT OFF AND NO ONE IS NEAR THE HYDRAULIC CONTROLS.

MAINTENANCE

(Also do this before initial operation)

- Grease points regularly.

These are:

- 4 x main feeder bearings (do not over grease)
- All pivot grease nipples .
- Inside the hook latch contact surface.

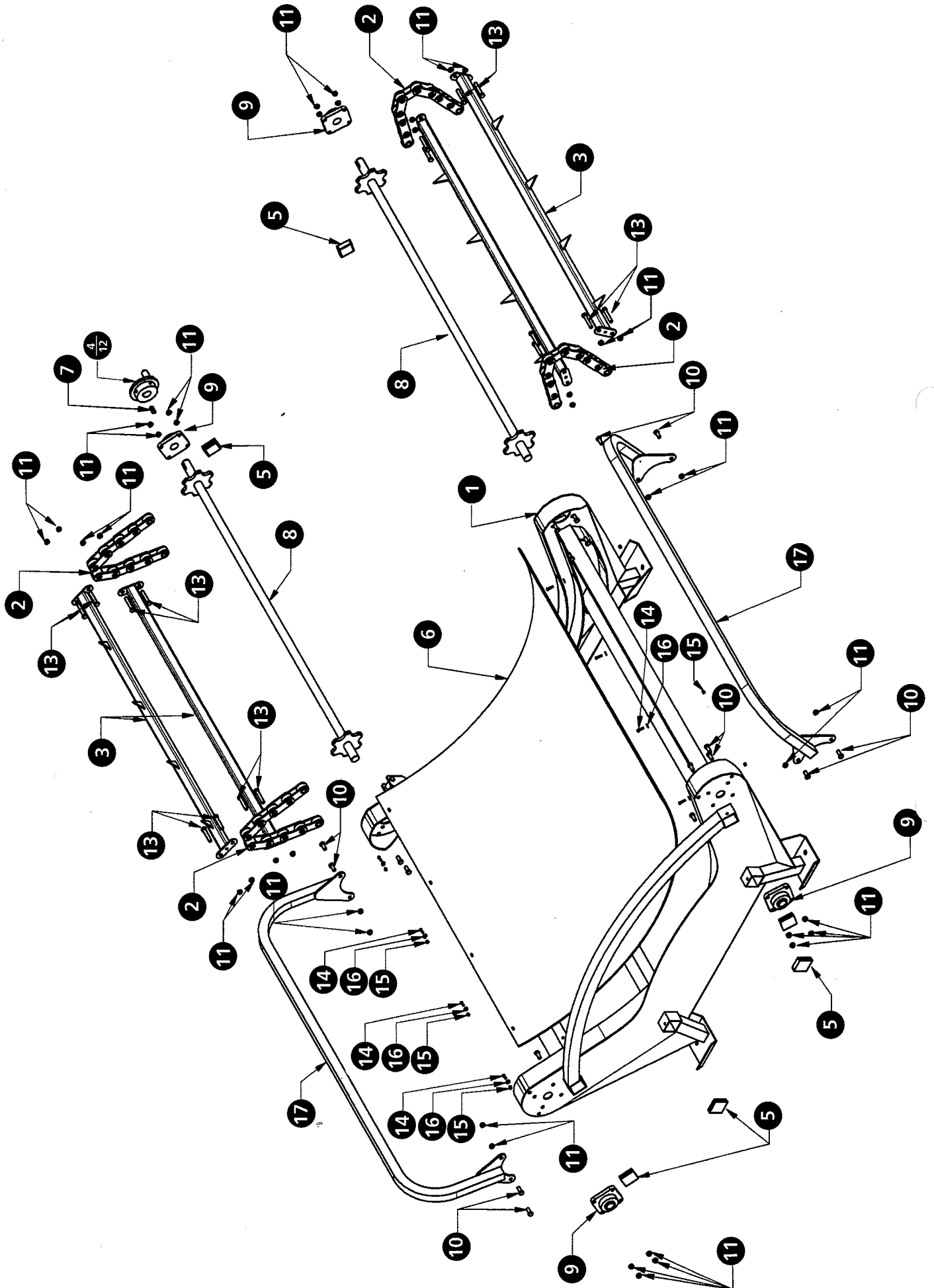
- Keep the 2 feed chains oiled. Use a non-tacky black or brown chain lube monthly.

After the first 10 hours of operation:

- Check grub screws in bearings are tight.

- During routine servicing check that grubscrews and bolts are tight.
- During routine servicing check that grubscrews and bolts are tight.

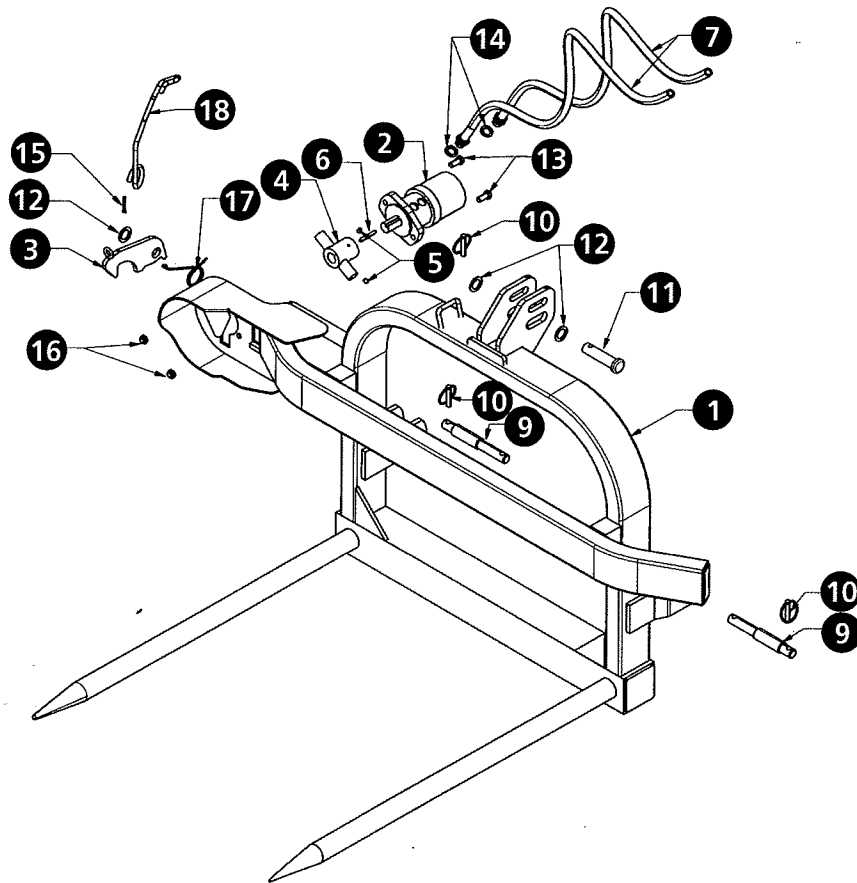
FEEDER ASSEMBLY



FEEDER ASSEMBLY

Item No.	Description	Qty	Part Code	Notes
1	Feeder Mainframe	1	SL - 805	
2	Feed Chain	2	SL - 810	
3	Feed Bar	15	SL - 813	
4	SL Drive Dog	1	SL - 820	
5	Plastic RHS Cap	6	SL - 825	
6	Plastic Floor Sheet	1	SL - 826	
7	Sprocket Key	1	CH - 154	
8	Drive Shaft	1	SL - 819	
9	4 Bolt Flange Bearing	1	CH - 152-153	
10	Bolt M12 X 35mm	26	CH - 210	
11	M12 Nyloc Nut	90	CH - 216	
12	Sprocket Grub Screw	4	CH - 161	
13	Bolt M12 X 65mm	64	SL - 809	
14	SS Cap Screw M6 X 30mm	8	CH - 226	
15	M6 Nyloc Nut	8	CH - 219	
16	M6 HD Washer	8	SL - 808	
17	Side Bar	2	SL - 812	

3-POINT LINKAGE ASSEMBLY



Item No.	Description	Qty	Part Code	Notes
1	3 PTL Frame	1	SL - 804	
2	Hydraulic Motor JH320	1	SL - 816	
	Hydraulic Motor JH320 Seal Kit	1	SL - 816Sk	Not Shown
3	Hook	1	CH - 30	
4	Tee Drive #Ch-DDA	1	CH - 128	
5	Motor Grubscrew	2	CH - 125	
6	Motor Key JH320	1	SL - 817	
7	Motor Hose HK 1-2375	2	CH - 20	
8	Hose Sock	1	SL - 800	Not Shown
9	3 PTL Pin B100	2	CH - 497	
10	AG-3 Lynch Pin	3	CH - 500	
11	B76 Pin	1	S - 405	
12	1" Heavy ZP Washer	3	CH - 235	
13	Bolt M12 X 35mm	2	CH - 210	
14	BB0608 c/w 08 Dowty Washer	2	BB0608	
15	Split Pin	1	CH - 227	
16	M12 Nyloc Nut	2	CH - 216	
17	Latch Spring	1	CH - 192	
18	Hook Latch Rope	1	CH - 167	